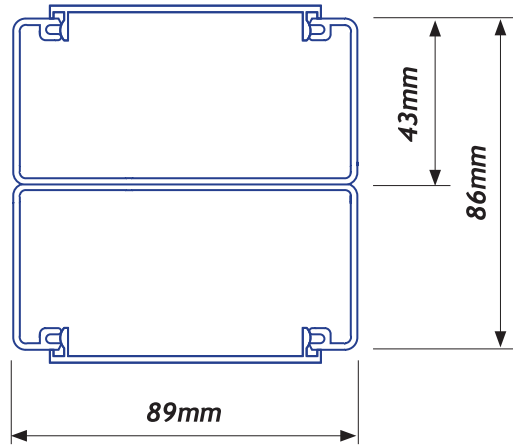


CAT 5 90/2 COLUMN PROFILE



† Bespoke column height options available.
Contact Interserv to discuss your particular needs.

PROFILE LENGTHS †	PART No.
3.1 metre	CAT 5 90.2230
6.2 metre	CAT 5 90.2260

Includes covers + One floor mount*

ACCESSORIES*

FLOOR MOUNT | PART No.

Floor Mounting Bracket | 10.0090
*One floor mount supplied
Additional floor mounts can be purchased separately



COMPRESSION JACKS | PART No.

300mm | 15.3000
600mm | 15.6000



FIXING PLATES | PART No.

70mm Large Outlet PAIR | 70.0040



FINISHING FLANGE | PART No.

PVC Ceiling Flange | 90.2250



*IMAGES ARE NOT TO SCALE / PROPORTION



0800 828 914

15 Patiki Road, Avondale, Auckland, NZ

www.interserv.co.nz