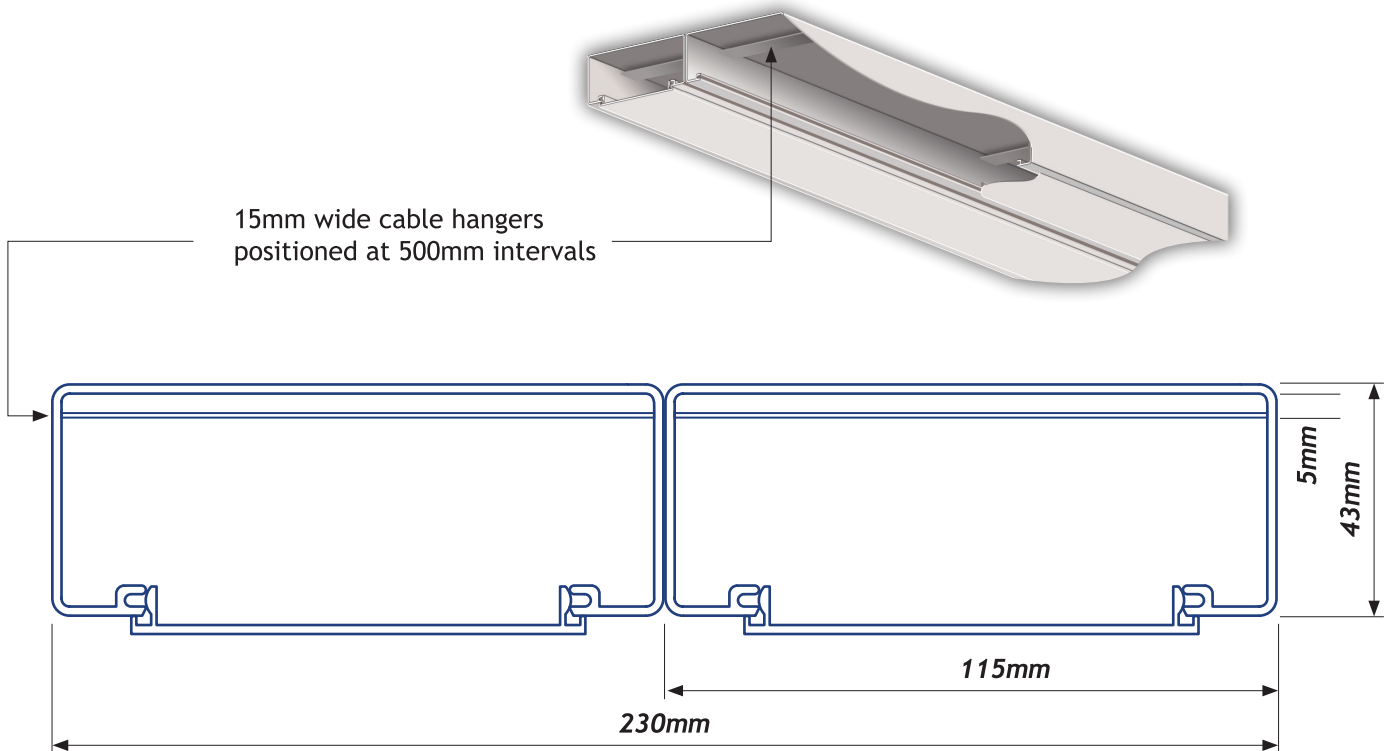


# CAT 5 230/2 CEILING



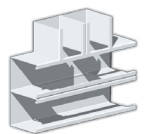
PROFILE LENGTHS	PART No.
3.0 metre	CAT 5 230.2130
6.0 metre	CAT 5 230.2160
Includes covers	

## ACCESSORIES\*

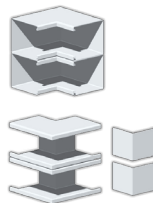
ENDCAPS	PART No.
90 Endcap	CAT 5 230.2620



TEE JUNCTION	PART No.
Tee Junction	CAT 5 230.1500



CORNERS	PART No.
Internal Corner	CAT 5 230.2300
External Corner*	CAT 5 230.2310
*Supplied with External Covers	



FIXING PLATES	PART No.
Jumbo Outlet PAIR	84.0040



FLAT BEND	PART No.
Flat Bend*	CAT 5 230.2400
*Supplied with Flat Bend Cover sets	



JOINER	PART No.
Joiner Specific	CAT 5 115.0106



\*IMAGES ARE NOT TO SCALE / PROPORTION

0800 828 914

15 Patiki Road, Avondale, Auckland, NZ

[www.interserv.co.nz](http://www.interserv.co.nz)