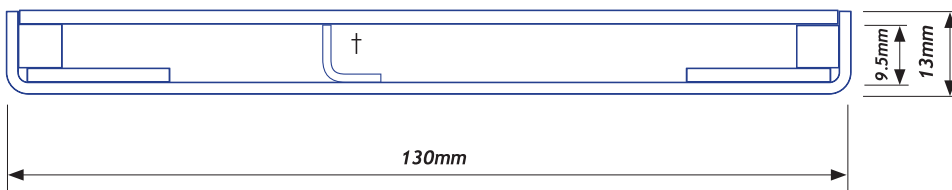
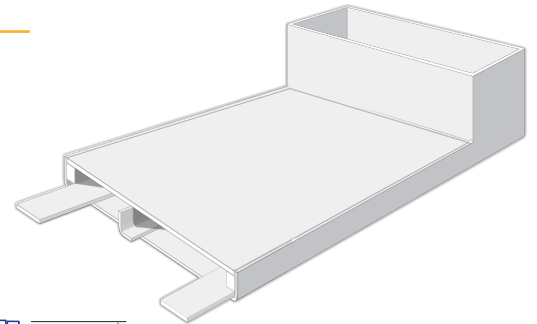


130/13 DOUBLE CHANNEL FLOOR



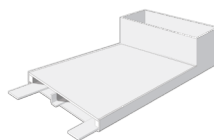
9.5mm Data & Power cavity
† Adjustable divider positioning

PROFILE LENGTH	PART No.
2.99 metre*	130.13.283

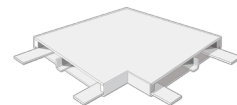
* Extended lengths by arrangement.
Various widths available
Profiles include covers.
Complete units drilled, tapped and countersunk covers.

FINISHING PRODUCTS*

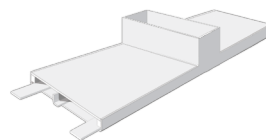
ENDS	PART No.
90 End Channel	130.13.284



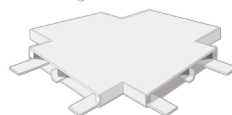
FLAT BEND	PART No.
Flat Corner** Contact us for custom bends	130.13.285



TEE JUNCTION	PART No.
Tee Junction	130.13.286



CROSS JUNCTION	PART No.
4 Way Junction	130.13.287



JOINER	PART No.
Joiner PAIR Earthing Plates	130.13.28



**When using flat bends consideration must be given to cross sectional diameter of the conductors chosen, in particular flat TPS cabling.

INSTALLATION

Drill & screw bits and drill templating supplied.
Centre divider applied via double sided tape.
Earthing carried out onsite by a licensed registered electrician.



FIXING PIN	PART No.
2.0mm x 22mm	130.312



MACHINE SCREW	PART No.
2.5mm Screw head pattern TBC	130.312



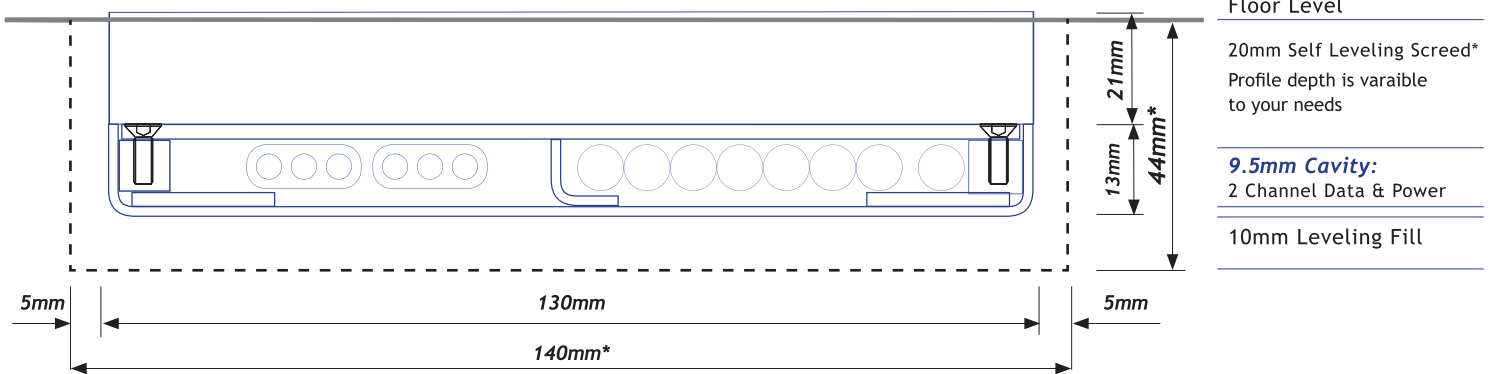
*IMAGES ARE NOT TO SCALE / PROPORTION

0800 828 914
15 Patiki Road, Avondale, Auckland, NZ

www.interserv.co.nz

130/13 INSTALLATION

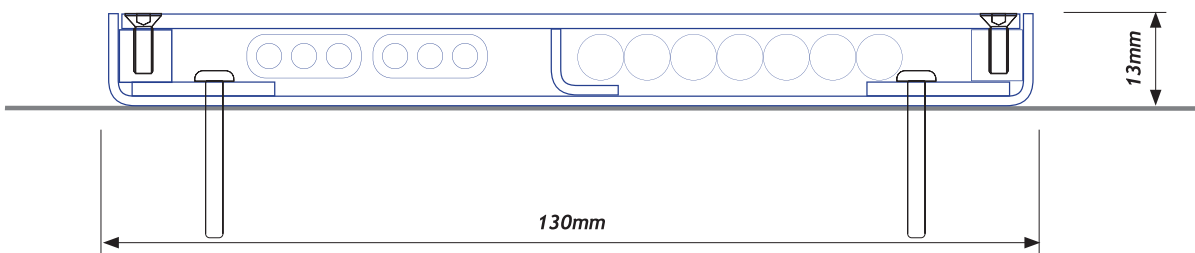
RECESSED INSTALL



**Recess trench depth and width will be subject to accuracy of your channeling technique.*

Contact Interserv to discuss your needs.

SURFACE MOUNT



Contact Interserv to discuss your needs.

0800 828 914

15 Patiki Road, Avondale, Auckland, NZ

 COMPLIANCE: AS/NZS 3000
FIRE HAZARD: AS1530 PT3 1999
SEALING: AS 60529-2004

*IMAGES ARE NOT TO SCALE / PROPORTION

www.interserv.co.nz