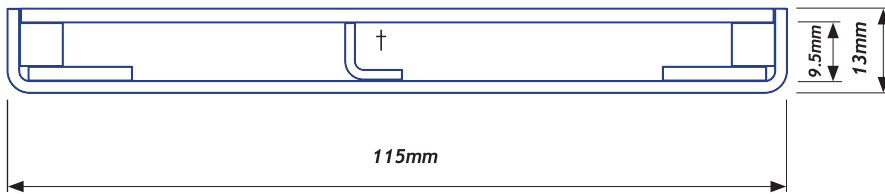
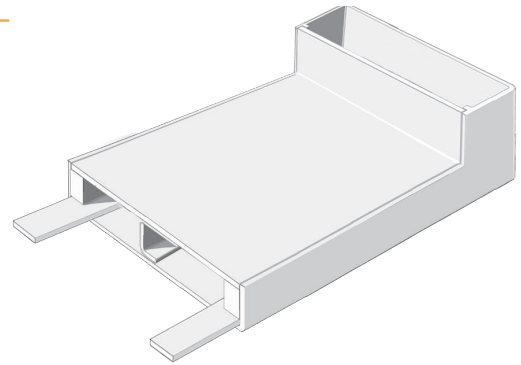


# 115/13 DOUBLE CHANNEL FLOOR



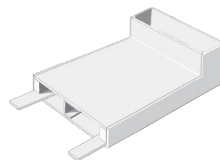
9.5mm Data & Power cavity  
† Adjustable divider positioning

PROFILE LENGTHS	PART No.
3.1 metre	115.13.283
6.2 metre	115.13.286

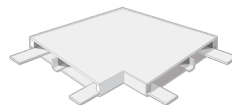
\* Extended lengths by arrangement.  
Various widths available  
Profiles include covers.  
Complete units drilled, tapped and countersunk covers.

## FINISHING PRODUCTS\*

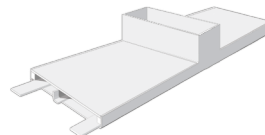
ENDS	PART No.
90 End Channel	115.13.284



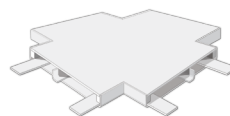
FLAT BEND	PART No.
Flat Corner**	115.13.285
Contact us for custom bends	



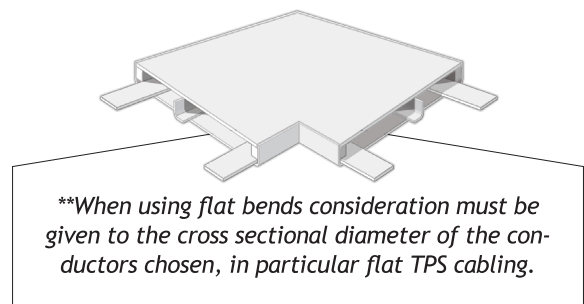
TEE JUNCTION	PART No.
Tee Junction	115.13.287



CROSS JUNCTION	PART No.
4 Way Junction	115.13.288



JOINER	PART No.
Joiner PAIR	115.13.28
Earthing Plates	



### INSTALLATION

Drill & screw bits and drill templating supplied.  
Centre divider applied via double sided tape.  
Earthing carried out onsite by a licensed registered electrician.



FIXING PIN	PART No.
2.0mm x 22mm	130.312



MACHINE SCREW	PART No.
2.5mm	130.313
Screw head pattern TBC	

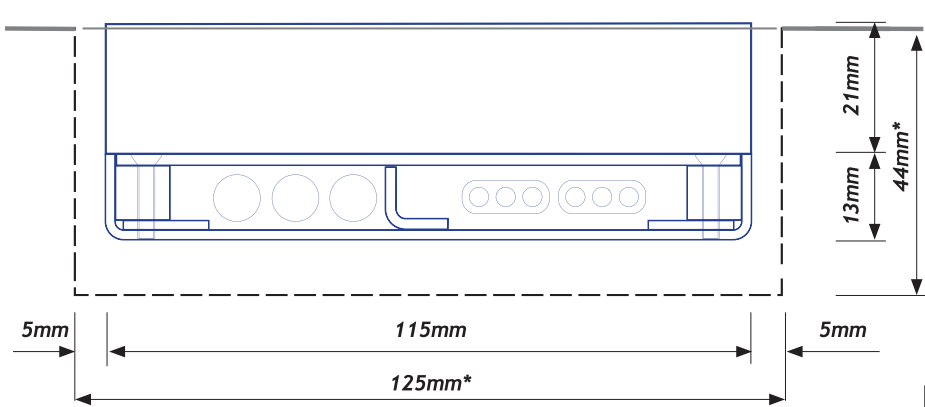


\*IMAGES ARE NOT TO SCALE / PROPORTION

0800 828 914  
15 Patiki Road, Avondale, Auckland, NZ

[www.interserv.co.nz](http://www.interserv.co.nz)

# 115/13 INSTALLATION



Floor Level

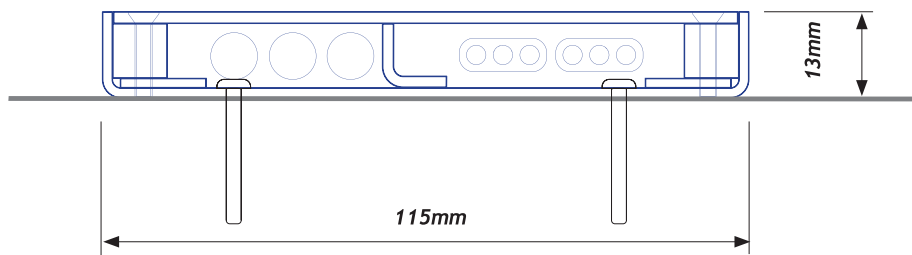
20mm Self Leveling Screed\*  
Profile depth is variable to your needs

**9.5mm cavity:** 2 Channel Data & Power

10mm Leveling Fill

*\*Recess trench depth and width will be subject to accuracy of your channeling technique.*  
Contact Interserv to discuss your needs.

## SURFACE MOUNT



Contact Interserv to discuss your needs.

**0800 828 914**

15 Patiki Road, Avondale, Auckland, NZ



\*IMAGES ARE NOT TO SCALE / PROPORTION

[www.interserv.co.nz](http://www.interserv.co.nz)