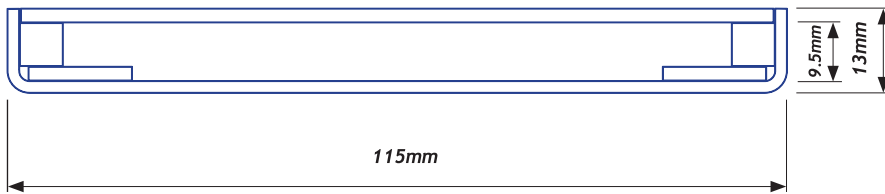
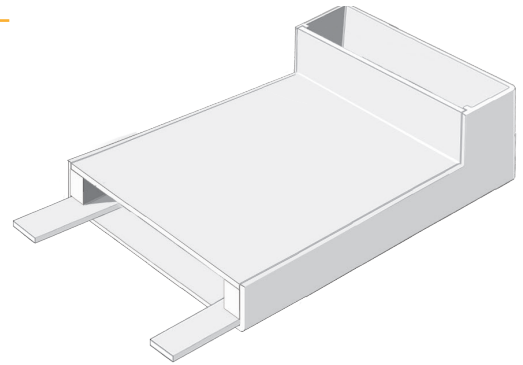


115/13 SINGLE CHANNEL FLOOR



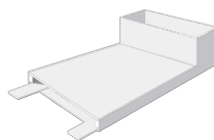
9.5mm Data & Power cavity

PROFILE LENGTHS	PART No.
3.1 metre	115.13.183
6.2 metre	115.13.186

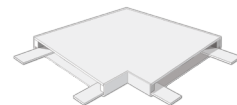
* Extended lengths by arrangement.
Various widths available
Profiles include covers.
Complete units drilled, tapped and countersunk covers.

FINISHING PRODUCTS*

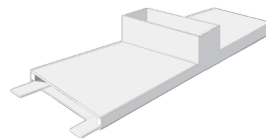
ENDS	PART No.
90 End Channel	115.13.184



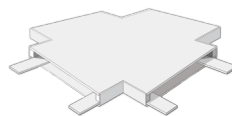
FLAT BEND	PART No.
Flat Corner**	115.13.185
Contact us for custom bends	



TEE JUNCTION	PART No.
Tee Junction	115.13.187



CROSS JUNCTION	PART No.
4 Way Junction	115.13.188



JOINER	PART No.
Joiner PAIR	115.13.18
Earthing Plates	



****When using flat bends consideration must be given to the cross sectional diameter of the conductors chosen, in particular flat TPS cabling.**

INSTALLATION

Drill & screw bits and drill templating supplied.
Centre divider applied via double sided tape.
Earthing carried out onsite by a licensed registered electrician.



FIXING PIN	PART No.
2.0mm x 22mm	130.312



MACHINE SCREW	PART No.
2.5mm	130.313
Screw head pattern TBC	

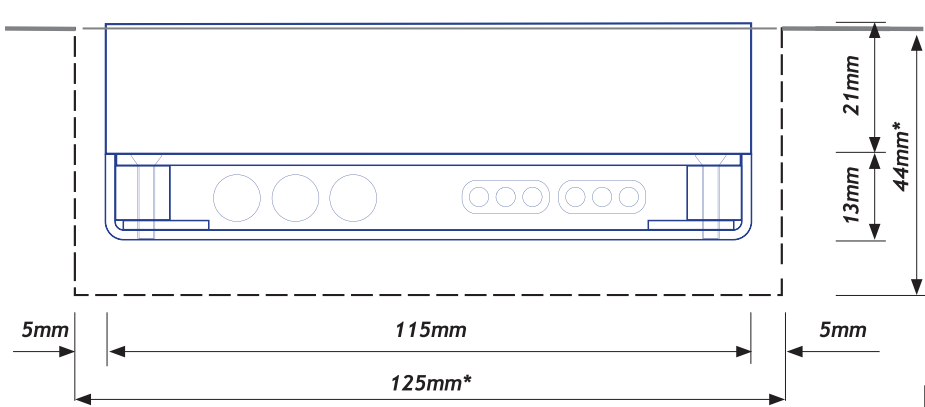


*IMAGES ARE NOT TO SCALE / PROPORTION

0800 828 914
15 Patiki Road, Avondale, Auckland, NZ

www.interserv.co.nz

115/13 INSTALLATION



Floor Level

20mm Self Leveling Screed*
Profile depth is variable to your needs

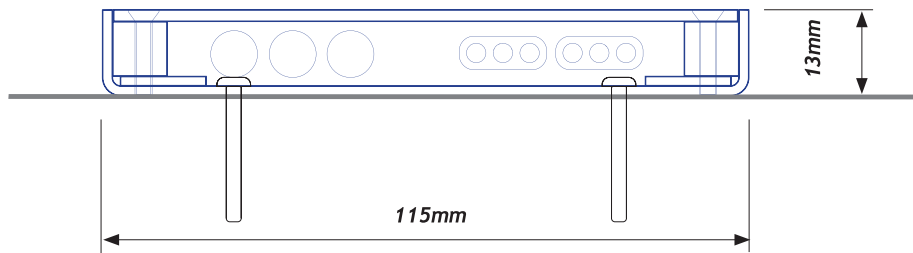
9.5mm cavity: 1 Channel Data & Power

10mm Leveling Fill

**Recess trench depth and width will be subject to accuracy of your channeling technique.*

Contact Interserv to discuss your needs.

SURFACE MOUNT



Contact Interserv to discuss your needs.

0800 828 914

15 Patiki Road, Avondale, Auckland, NZ



*IMAGES ARE NOT TO SCALE / PROPORTION

www.interserv.co.nz